



MODELS 250 TO 1000



MODELS 1300 AND 2000



DESIGNATION

TD	-	800	/	200	SILENT	3V
1		2		3	4	5

1. Name
2. Model
3. Nominal diameter
4. Silenced version
5. Three-speed version

APPLICATION

In-line duct fan designed for ventilating rooms with a low level of dust, suitable for installation in vertical or horizontal ventilation ducts with diameters from 100 to 315 mm. Due to their compact design and low height TD SILENT fans are recommended for installation in suspended ceilings. Ideal for ventilation of public buildings, libraries, conference rooms, offices, restaurants, classrooms, sound studios.

CONSTRUCTION

The original design allows maintenance without removing the ventilation ducts. The TD SILENT housing is made of polypropylene (models from 250 to 1000) or painted steel with epoxy paint (models 1300, 2000), and the impeller is made of ABS plastic or aluminum. Thanks to the innovative design solutions such as an anti-vibration mounted motor, aerodynamic interior geometry and integrated internal silencers, TD SILENT fans are characterized by low levels of noise and vibration. They are equipped with flexible connectors for quickly mounting the fan in the duct without the use of tools.

MOTOR

TD SILENT fans are equipped with single-phase 230V, 50 / 60Hz motors with protection degree IP44 and winding insulation class B. All motors are suitable for voltage speed control. All motors have thermal winding protection against overload - fuses in models 250 and 350, and circuit breakers in other models. The construction of a compact junction box allows you to connect the power cord from any direction.



Rubber seals,
For vibration absorption.



Support bracket.



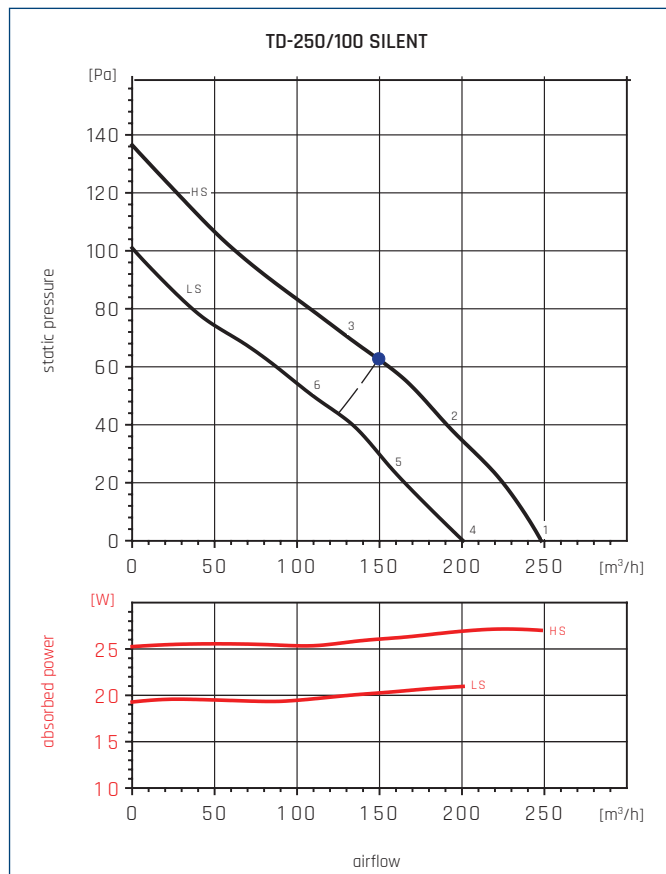
Connection box rotated 360°.

TECHNICAL CHARACTERISTICS

Type	run	speed	maximum absorbed power	maximum absorbed current	airflow at free discharge	sound pressure level*	operating temperature		weight	regulator	ErP	article number
		[r.p.m.]	[W]	[A]	[m³/h]	[dB(A)]	min	max				
TD-250/100 SILENT	HS	2110	27	0,12	250	24	-20	+40	5,4	TLR 15 DS RVS-1,5	2018 P < 30W	40020725
	LS	1680	21	0,1	200	19						
TD-350/125 SILENT	HS	2100	27	0,12	330	25	-20	+40	5	TLR 15 DS RVS-1,5	2018 P < 30W	40020735
	LS	1650	21	0,1	260	22						
TD-500/150-160 SILENT 3V	HS	2480	59	0,26	550	27	-20	+60	6	TLR 15 DS RVS-1,5 INTER 4P	2018	40020749-03
	MS	2060	50	0,22	450	24						
TD-800/200 SILENT 3V	HS	2170	102	0,5	910	28	-20	+60	8,7	TLR 15 DS RVS-1,5 INTER 4P	2018	40020755-01
	MS	1870	92	0,47	780	24						
	LS	1660	90	0,46	690	21						
TD-1000/200 SILENT 3V	HS	2450	130	0,55	1040	29	-20	+60	8,7	TLR 15 DS RVS-1,5 INTER 4P	2018	40020775-01
	MS	2210	127	0,55	910	27						
	LS	1920	122	0,53	790	24						
TD-1300/250 SILENT 3V	HS	2530	204	0,9	1320	36	-20	+60	20	TLR 15 DS RVS-1,5 INTER 4P	2016	40020782-01
	MS	2230	163	0,7	1160	33						
	LS	2030	144	0,6	1040	31						
TD-2000/315 SILENT 3V	HS	2670	293	1,3	1770	39	-20	+60	20	TLR 15 DS RVS-1,5 INTER 4P	2018	40020791-03
	MS	2490	232	1	1610	37						
	LS	2240	190	0,8	1480	35						

* Measured at a distance of 3 m from the fan.

PERFORMANCE CURVES

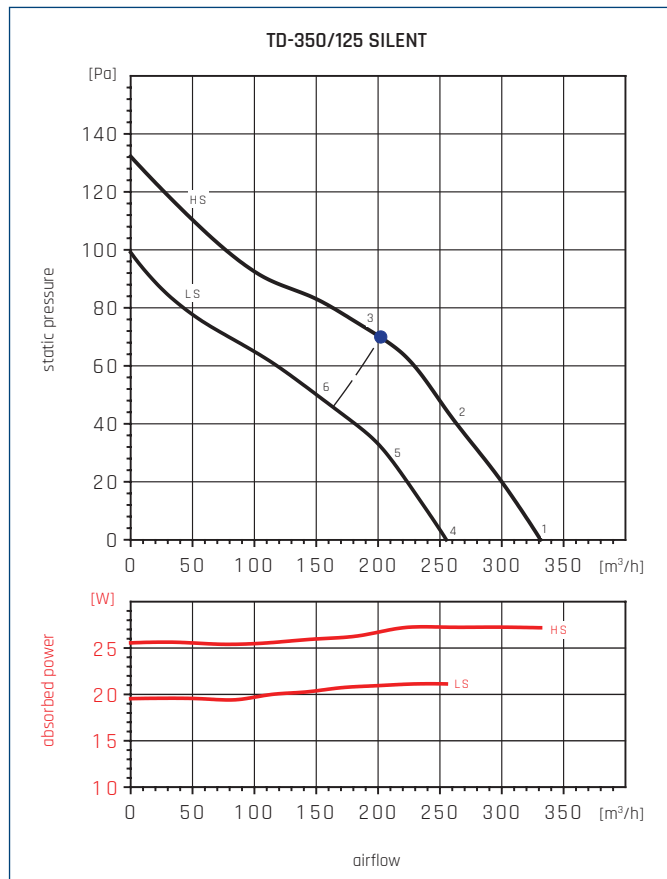


● - highest efficiency point.

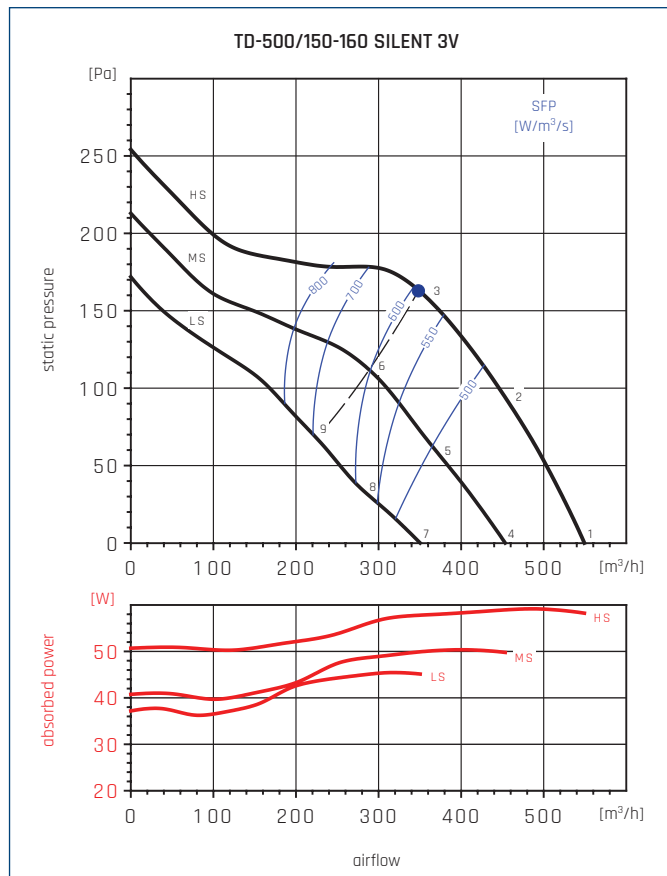
ACOUSTIC CHARACTERISTICS

Hz/dB(A)		65	125	250	500	1000	2000	4000	8000	L _{WA}
1	Inlet	26	32	46	53	53	44	38	30	57
	Outlet	30	33	45	53	46	40	36	28	55
	Emitted	26	28	40	40	36	31	25	18	44
2	Inlet	24	36	46	53	52	44	38	30	56
	Outlet	26	35	43	52	45	40	36	28	54
	Emitted	24	32	40	40	35	31	25	18	44
3	Inlet	25	35	42	51	55	47	40	34	57
	Outlet	26	35	39	51	49	42	38	31	54
	Emitted	25	31	36	38	38	34	27	22	43
4	Inlet	22	38	42	47	48	38	32	26	52
	Outlet	26	36	40	47	41	34	29	24	49
	Emitted	22	33	35	34	28	24	19	17	39
5	Inlet	23	34	43	46	48	39	32	27	51
	Outlet	25	34	41	46	42	35	31	25	49
	Emitted	23	29	36	33	28	25	19	18	39
6	Inlet	24	33	39	49	54	43	35	29	56
	Outlet	25	33	38	49	46	37	33	26	51
	Emitted	24	28	32	36	34	29	22	20	40

PERFORMANCE CURVES



● - highest efficiency point.



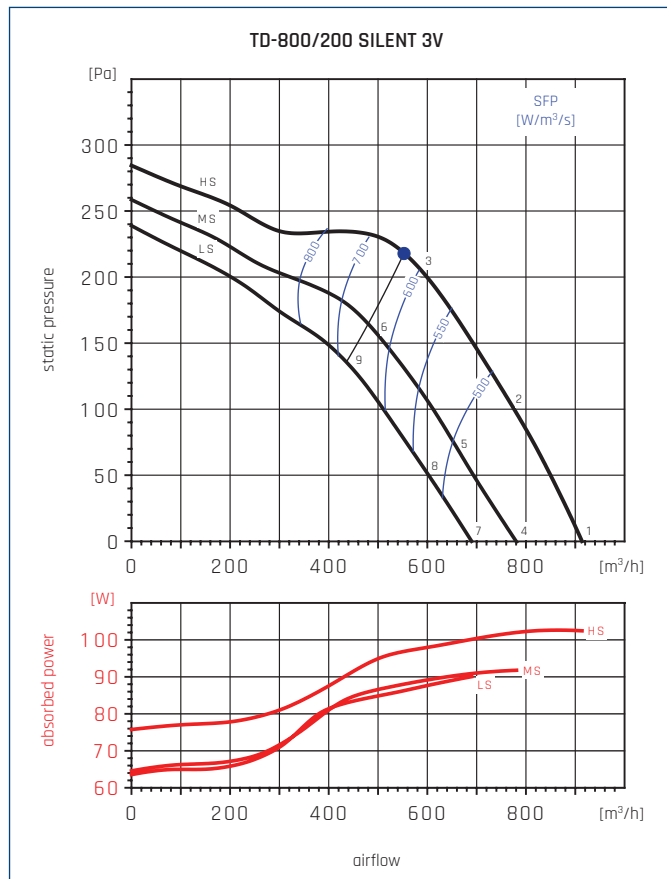
● - highest efficiency point.

ACOUSTIC CHARACTERISTICS

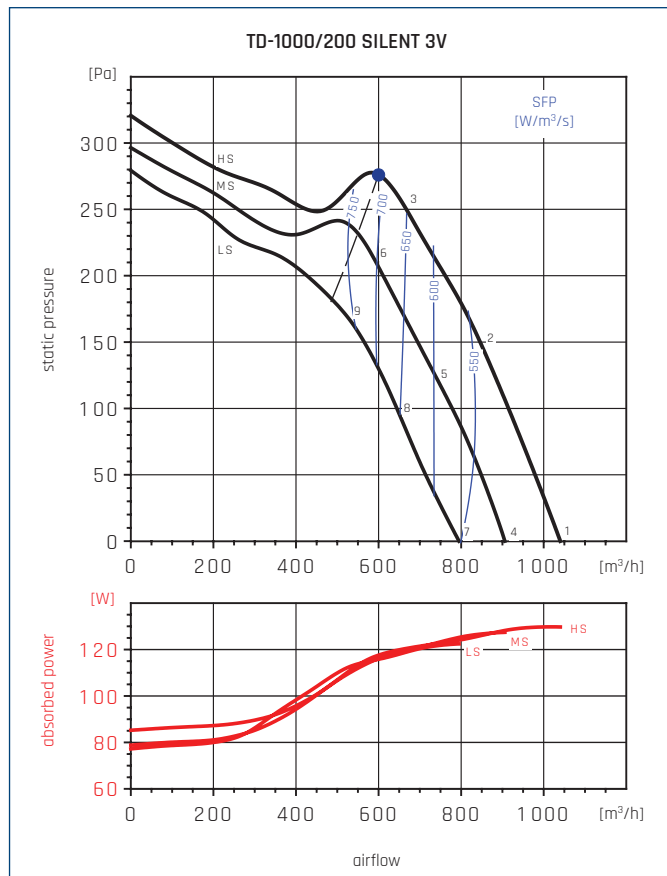
Hz/dB(A)		65	125	250	500	1000	2000	4000	8000	L _{WA}
1	Inlet	24	26	41	49	48	44	37	28	53
	Outlet	34	32	43	49	49	43	35	27	53
	Emitted	23	26	39	44	40	35	25	15	47
2	Inlet	22	25	41	49	47	44	38	29	52
	Outlet	28	29	39	48	47	41	35	28	51
	Emitted	21	25	39	44	39	35	26	16	47
3	Inlet	24	31	44	53	52	48	41	32	57
	Outlet	26	34	41	52	49	45	39	31	55
	Emitted	23	31	42	48	44	39	29	19	51
4	Inlet	21	24	38	45	43	36	28	24	48
	Outlet	26	29	37	42	42	34	27	23	46
	Emitted	21	24	36	40	36	27	18	15	43
5	Inlet	22	25	36	44	44	36	32	25	48
	Outlet	23	29	36	42	41	34	29	23	46
	Emitted	22	25	34	39	37	27	22	16	42
6	Inlet	24	29	40	48	48	43	36	27	52
	Outlet	24	33	39	47	44	40	34	26	50
	Emitted	24	29	38	43	41	34	26	18	46

Hz/dB(A)		65	125	250	500	1000	2000	4000	8000	L _{WA}
1	Inlet	22	35	51	58	59	60	53	43	64
	Outlet	38	39	55	58	59	55	49	42	63
	Emitted	16	30	39	39	41	43	34	30	47
2	Inlet	21	33	51	56	57	58	50	41	62
	Outlet	33	35	53	55	57	51	45	38	61
	Emitted	15	28	39	37	39	41	31	28	46
3	Inlet	24	37	51	60	57	56	51	43	63
	Outlet	23	36	51	59	57	49	45	38	62
	Emitted	18	32	39	41	39	39	32	30	46
4	Inlet	20	34	48	55	56	57	48	38	61
	Outlet	28	42	47	54	55	50	43	35	59
	Emitted	14	27	37	38	39	40	30	25	45
5	Inlet	19	32	42	52	52	52	43	34	57
	Outlet	24	41	47	51	52	44	37	29	56
	Emitted	13	25	31	35	35	35	25	21	41
6	Inlet	21	37	46	56	53	51	45	36	59
	Outlet	28	43	51	56	52	46	40	34	59
	Emitted	15	30	35	39	36	34	27	23	43
7	Inlet	20	31	42	51	52	51	41	31	56
	Outlet	22	37	44	50	50	45	37	29	54
	Emitted	14	25	35	36	37	37	25	20	43
8	Inlet	20	29	39	48	49	44	36	27	53
	Outlet	20	28	42	46	46	36	29	24	50
	Emitted	14	23	32	33	34	30	20	16	39
9	Inlet	21	35	42	51	49	45	38	29	54
	Outlet	23	38	46	51	47	40	34	27	54
	Emitted	15	29	35	36	34	31	22	18	41

PERFORMANCE CURVES



● - highest efficiency point.



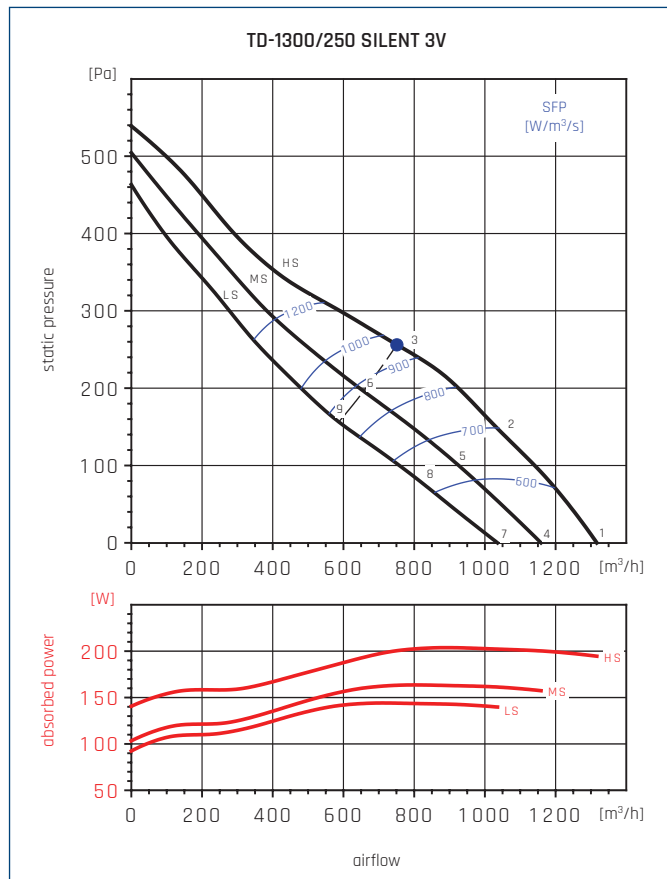
● - highest efficiency point.

ACOUSTIC CHARACTERISTICS

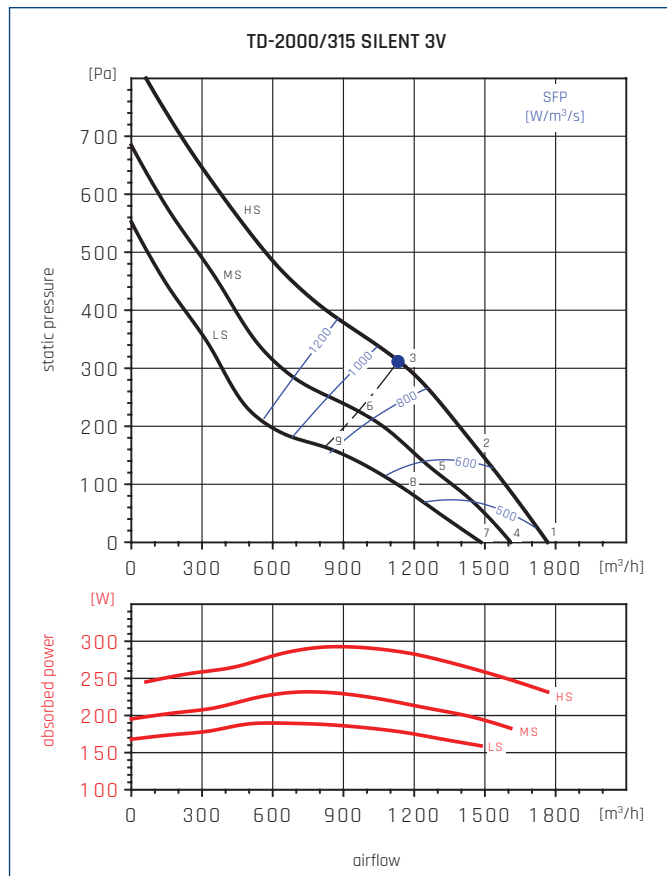
Hz/dB(A)	65	125	250	500	1000	2000	4000	8000	L _{WA}	
1	Inlet	27	40	49	60	61	62	57	51	66
	Outlet	44	46	51	60	64	63	60	53	69
	Emitted	18	34	35	42	45	41	32	24	48
2	Inlet	26	38	47	57	59	59	54	47	64
	Outlet	42	45	50	60	63	61	58	51	67
	Emitted	18	32	33	40	42	39	29	20	46
3	Inlet	26	40	50	60	61	60	56	50	66
	Outlet	33	40	51	60	61	59	55	49	65
	Emitted	18	33	36	43	44	40	30	23	48
4	Inlet	23	36	45	56	58	58	54	47	63
	Outlet	41	43	48	57	61	60	56	49	65
	Emitted	14	30	31	39	41	38	28	20	45
5	Inlet	23	35	43	54	56	56	51	44	61
	Outlet	39	41	47	56	59	58	54	47	63
	Emitted	14	29	29	36	39	36	25	17	42
6	Inlet	24	37	47	58	58	58	53	47	63
	Outlet	30	37	48	57	58	56	52	46	63
	Emitted	15	31	33	41	42	38	27	20	45
7	Inlet	20	34	43	53	55	55	51	44	60
	Outlet	38	40	45	54	58	57	54	47	62
	Emitted	12	28	29	36	38	35	25	17	42
8	Inlet	20	32	41	51	53	53	48	41	58
	Outlet	36	39	44	54	57	55	52	45	61
	Emitted	12	26	27	34	36	33	23	14	40
9	Inlet	22	35	45	56	56	56	51	45	61
	Outlet	28	35	46	55	56	54	50	44	60
	Emitted	13	29	31	38	39	35	25	18	43

Hz/dB(A)	65	125	250	500	1000	2000	4000	8000	L _{WA}	
1	Inlet	27	40	50	60	62	64	60	53	68
	Outlet	46	47	54	61	66	65	62	55	70
	Emitted	17	33	35	44	45	43	35	28	49
2	Inlet	27	38	49	59	61	62	56	49	66
	Outlet	41	43	52	59	63	61	57	50	67
	Emitted	16	31	34	42	43	40	31	24	47
3	Inlet	28	41	54	63	63	62	58	51	68
	Outlet	32	41	55	62	62	59	56	47	67
	Emitted	17	33	39	46	45	41	33	26	50
4	Inlet	26	39	49	59	61	63	58	51	67
	Outlet	44	46	53	59	64	64	61	53	69
	Emitted	15	32	34	43	43	41	33	26	48
5	Inlet	25	37	47	57	59	61	55	48	65
	Outlet	39	42	50	58	62	60	56	49	66
	Emitted	15	29	33	41	42	39	30	23	46
6	Inlet	26	39	52	61	61	61	56	50	67
	Outlet	31	39	54	60	61	58	54	46	65
	Emitted	16	32	37	45	43	39	31	24	48
7	Inlet	23	36	46	56	58	60	55	48	64
	Outlet	41	43	50	56	61	61	58	50	66
	Emitted	12	29	31	40	40	38	30	23	45
8	Inlet	23	34	45	54	57	58	52	45	62
	Outlet	37	39	47	55	59	57	53	46	63
	Emitted	12	26	30	38	39	36	27	20	43
9	Inlet	24	37	50	59	59	58	54	47	64
	Outlet	28	37	52	58	58	55	52	43	63
	Emitted	13	30	35	43	41	37	29	22	46

PERFORMANCE CURVES



● - highest efficiency point.



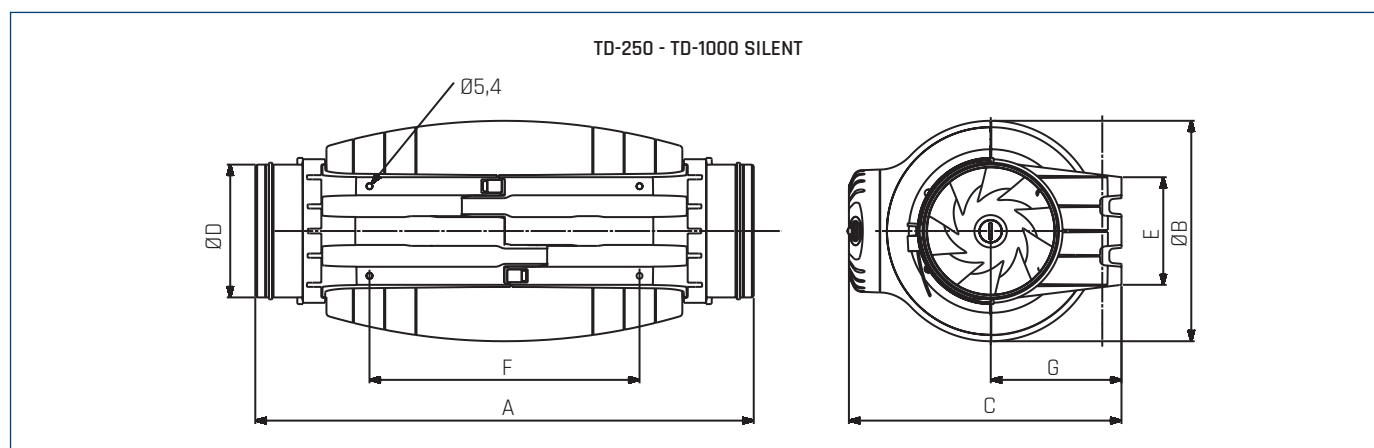
● - highest efficiency point.

ACOUSTIC CHARACTERISTICS

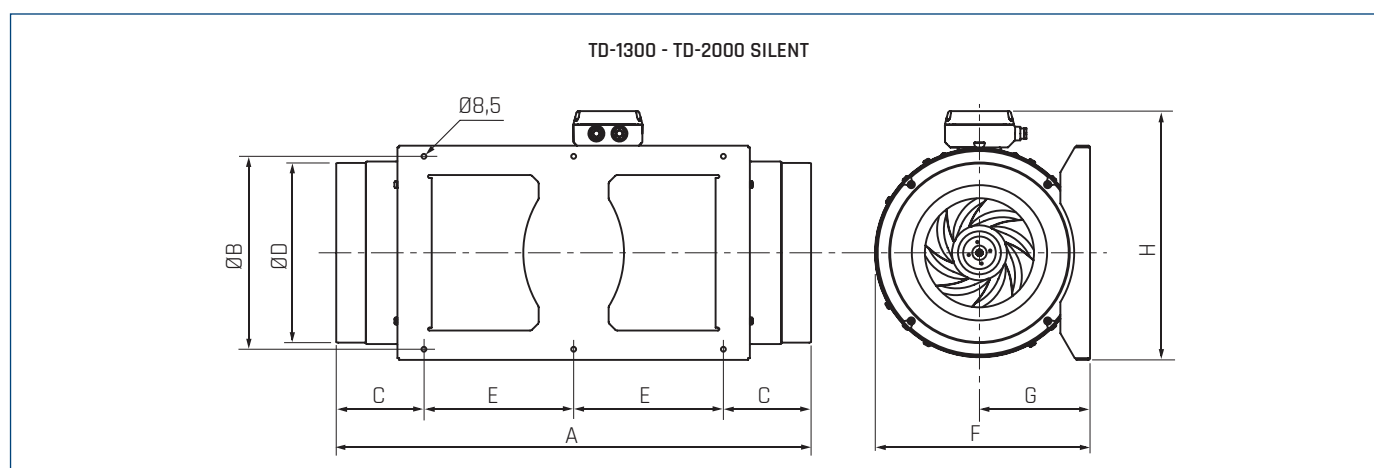
Hz/dB(A)		65	125	250	500	1000	2000	4000	8000	L _{WA}
1	Inlet	30	42	60	59	62	61	58	52	67
	Outlet	33	45	60	68	72	65	54	48	74
	Emitted	26	31	46	42	55	48	39	38	57
2	Inlet	32	43	62	60	61	60	56	51	67
	Outlet	30	46	61	69	71	63	52	47	74
	Emitted	28	32	48	43	54	47	37	37	56
3	Inlet	36	47	63	60	58	58	55	48	67
	Outlet	32	51	62	69	67	60	51	44	72
	Emitted	32	36	49	43	51	45	36	34	54
4	Inlet	27	39	57	56	59	58	55	49	65
	Outlet	30	42	57	65	69	62	51	45	72
	Emitted	23	28	43	39	52	45	36	35	54
5	Inlet	29	40	59	57	58	57	53	48	64
	Outlet	27	43	58	66	68	60	49	44	71
	Emitted	25	29	45	40	51	44	34	34	53
6	Inlet	33	44	60	57	55	55	52	45	64
	Outlet	29	48	59	66	64	57	48	41	69
	Emitted	29	33	46	40	48	42	33	31	51
7	Inlet	25	37	55	54	57	56	53	47	63
	Outlet	28	40	55	63	67	60	49	43	70
	Emitted	21	26	41	37	50	43	34	33	52
8	Inlet	27	38	57	55	56	55	51	46	62
	Outlet	25	41	56	64	66	58	47	42	69
	Emitted	23	27	43	38	49	42	32	32	51
9	Inlet	31	42	58	55	53	53	50	43	62
	Outlet	27	46	57	64	62	55	46	39	67
	Emitted	27	31	44	38	46	40	31	29	49

Hz/dB(A)		65	125	250	500	1000	2000	4000	8000	L _{WA}
1	Inlet	34	48	60	63	66	64	59	55	70
	Outlet	42	54	67	69	73	66	52	49	76
	Emitted	23	36	44	50	57	54	49	43	60
2	Inlet	34	49	63	62	65	64	60	55	70
	Outlet	38	55	66	67	73	65	51	49	75
	Emitted	23	37	47	49	56	54	50	43	60
3	Inlet	37	56	64	63	63	62	58	52	70
	Outlet	36	61	68	71	68	62	49	46	74
	Emitted	26	44	48	50	54	52	48	40	58
4	Inlet	32	46	58	61	64	62	57	53	69
	Outlet	40	52	65	67	71	64	50	47	74
	Emitted	21	34	42	48	55	52	47	41	58
5	Inlet	32	47	61	60	63	62	58	53	68
	Outlet	36	53	64	65	71	63	49	47	73
	Emitted	21	35	45	47	54	52	48	41	57
6	Inlet	34	53	61	60	60	59	55	49	67
	Outlet	33	58	65	68	65	59	46	43	71
	Emitted	23	41	45	47	51	49	45	37	55
7	Inlet	30	44	56	59	62	60	55	51	66
	Outlet	38	50	63	65	69	62	48	45	72
	Emitted	19	32	40	46	53	50	45	39	56
8	Inlet	29	44	58	57	60	59	55	50	65
	Outlet	33	50	61	62	68	60	46	44	70
	Emitted	18	32	42	44	51	49	45	38	54
9	Inlet	30	49	57	56	56	55	51	45	63
	Outlet	29	54	61	64	61	55	42	39	67
	Emitted	19	37	41	43	47	45	41	33	51

DIMENSIONS [mm]

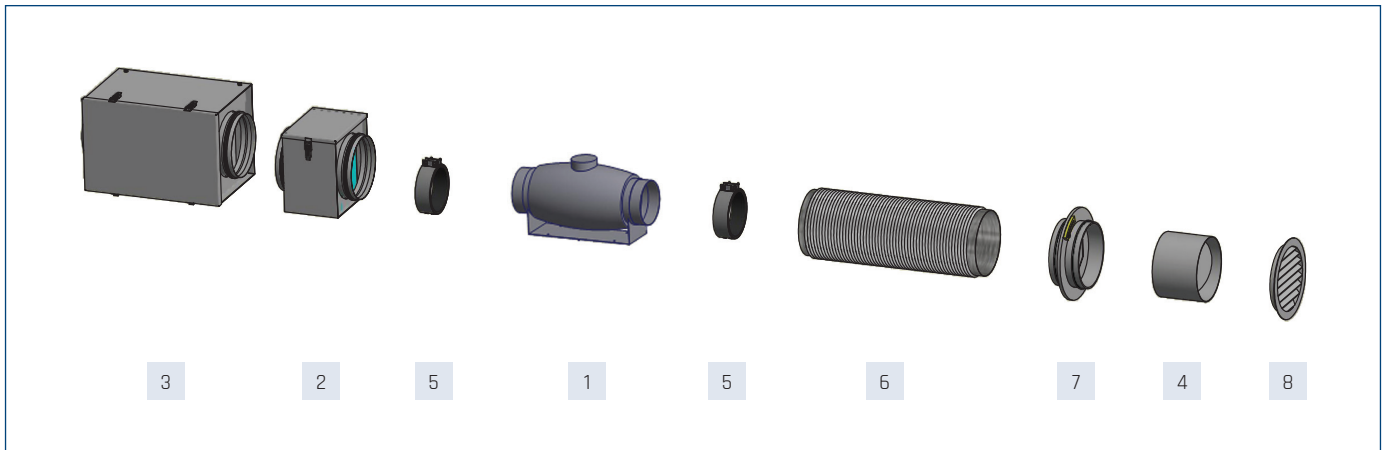


Type	A	ØB	C	ØD	E	F	G
TD-250/100 SILENT	575	204	252	97	100	250	121
TD-350/125 SILENT	462	204	252	123	100	250	121
TD-500/150-160 SILENT	484	221	274	147	116	250	134
TD-800/200 SILENT	568	264	327	198	145	340	164
TD-1000/200 SILENT	568	264	327	198	145	340	164



Type	A	ØB	C	ØD	E	F	G	H
TD-1300/250 SILENT 3V	680	280	140	248	200	331	171	387
TD-2000/315 SILENT 3V	825	335	152	312	260	373	192	432

ACCESSORY ASSEMBLY



Fan	1 channel filter DF	3 channel filter DF-K				
		2	cartridge filter to DF-K			
			EU3	EU5	EU7	EU9
TD-250/100 SILENT	40520610	40521710	40520800	40520805	40520810	40520820
TD-350/125 SILENT	40520620	40521715	40520800	40520805	40520810	40520820
TD-500/150-160 SILENT 3V	40520630	40521720	40520800	40520805	40520810	40520820
TD-800/200 SILENT 3V	40520640	40521725	40520800	40520805	40520810	40520820
TD-1000/200 SILENT 3V	40520640	40521725	40520800	40520805	40520810	40520820
TD-1300/250 SILENT 3V	40520650	40521730	40520800	40520805	40520810	40520820
TD-2000/315 SILENT 3V	40520660	40521735	40520830	40520835	40520840	-

Fan	4 backdraft shutter CAR-PL	5 antivibration connector ACOP-PL	6 flexible silencer AKU COMP		7 throttle IRIS	8 vent KWO
			cartridge filter to DF-K			
			0,6m	1,2m		
TD-250/100 SILENT	40521010-01	40521810	40521510	40521610	19527100	40522520
TD-350/125 SILENT	40521020-01	40521815	40521520	40521620	19527125	40522530
TD-500/150-160 SILENT 3V	40521029-01 40521030-01	40521820	40521530	40521630	19527160	40522540
TD-800/200 SILENT 3V	40521040-01	40521825	40521540	40521640	19527200	40522550
TD-1000/200 SILENT 3V	40521040-01	40521825	40521540	40521640	19527200	40522550
TD-1300/250 SILENT 3V	40521050-01	40521830	40521550	40521650	19527250	40522560
TD-2000/315 SILENT 3V	40521060-01	40521835	40521560	40521660	19527315	40522570



ELECTRICAL ACCESSORIES

Fan	2-speed switch	3-speed switch	wall thermostat	duct thermostat	air quality sensor	humidistat	thyristor controller		
	REGUL 2	INTER 4P	TS	TK-1	SQA	HIG-2	REB N	REB NE	TLR
TD-250/100 SILENT	40025000	-	40025345	40025330	40025140	40025150	40025010	40025020	40025025
TD-350/125 SILENT	40025000	-	40025345	40025330	40025140	40025150	40025010	40025020	40025025
TD-500/150-160 SILENT 3V	-	40024990	40025345	40025330	40025140	40025150	40025010	40025020	40025025
TD-800/200 SILENT 3V	-	40024990	40025345	40025330	40025140	40025150	40025010	40025020	40025025
TD-1000/200 SILENT 3V	-	40024990	40025345	40025330	40025140	40025150	40025010	40025020	40025025
TD-1300/250 SILENT 3V	-	40024990	40025345	40025330	40025140	40025150	40025030	40025040	40025025
TD-2000/315 SILENT 3V	-	40024990	40025345	40025330	40025140	40025150	40025030	40025040	40025045

Fan	11-speed thyristor regulator	2-adjustable 6-speed thyristor regulator	ERV	transformer regulator		transformer regulator 2-adjustable	
	IRF	RND-1		RMB	RVS	SC2	SC2A
TD-250/100 SILENT	-	40025630	40025046	40025060	40025232	40025250	40025251
TD-350/125 SILENT	-	40025630	40025046	40025060	40025232	40025250	40025251
TD-500/150-160 SILENT 3V	-	40025630	40025046	40025060	40025232	40025250	40025251
TD-800/200 SILENT 3V	40015154	40025630	40025046	40025060	40025232	40025250	40025251
TD-1000/200 SILENT 3V	40015154	40025630	40025046	40025060	40025232	40025250	40025251
TD-1300/250 SILENT 3V	40015154	40025630	40025046	40025060	40025232	40025250	40025251
TD-2000/315 SILENT 3V	40015154	40025630	40025046	40025060	40025232	40025250	40025251



ERP CHARACTERISTICS

		RVU*	
	Name	TD-250/100 SILENT	TD-350/125 SILENT
a	supplier name	VENTURE INDUSTRIES / SOLER&PALAU	VENTURE INDUSTRIES / SOLER&PALAU
b	article number	40020725	40020735
c	SEC average [kWh/m ² .a]	-12,4	-13,7
c	SEC cold	-28,8	-30,1
c	SEC warm	-3	-4,3
c	SEC class	not applicable	not applicable
d	device category	RVU	RVU
d	device type	UVU	UVU
e	type of drive	2-speed	2-speed
f	type of heat recovery system	not applicable	not applicable
g	thermal efficiency of heat recovery [%]	not applicable	not applicable
h	maximum flow rate [m ³ /h]	174	247
i	electric power input [W]	26,5	27,3
j	sound power level [dB(A)]	40	45
k	reference flow rate [m ³ /s]	0,036	0,052
l	reference pressure difference [Pa]	41	38
m	SPI [W/m ³ /h]	0,152	0,112
n	control factor	1	1
o	maximum external leakage for BVU [%]	3	3
p	mixing rate	not applicable	not applicable
q	position of visual filter warning	not applicable	not applicable
r	instructions for installing supply grilles	not applicable	not applicable
s	internet address	www.ventur.eu / www.solerpalau.com	www.ventur.eu / www.solerpalau.com
t	airflow sensitivity to pressure variation	not applicable	not applicable
u	indoor/outdoor air tightness [m ³ /h]	not applicable	not applicable
v	annual electricity consumption - average climate [kWh/a]	190	140
v	annual electricity consumption - warm climate [kWh/a]	190	140
v	annual electricity consumption - cold climate [kWh/a]	190	140
w	annual heating saved - average climate [kWh/a]		
w	annual heating saved - warm climate [kWh/a]		
w	annual heating saved - cold climate [kWh/a]		
	MISC	1,1	1,1
	x-value	1,2	1,2

* RVU - "residential ventilation unit" - according to COMMISSION REGULATION (EU) No 1253/2014.

ERP CHARACTERISTICS

NRVU*						
	Name	TD-500/150-160 SILENT 3V	TD-800/200 SILENT 3V	TD-1000/200 SILENT 3V	TD-1300/250 SILENT 3V	TD-2000/315 SILENT 3V
a	supplier name	VENTURE INDUSTRIES/ SOLER&PALAU	VENTURE INDUSTRIES/ SOLER&PALAU	VENTURE INDUSTRIES/ SOLER&PALAU	VENTURE INDUSTRIES/ SOLER&PALAU	VENTURE INDUSTRIES/ SOLER&PALAU
b	article number	40020749-03	40020755-01	40020775-01	40020782-01	40020791-03
c	device number	NRVU	NRVU	NRVU	NRVU	NRVU
c	device type	UVU	UVU	UVU	UVU	UVU
d	type of drive	3-speed	3-speed	3-speed	3-speed	3-speed
e	type of heat recovery system	not applicable	not applicable	not applicable	not applicable	not applicable
f	thermal efficiency of heat recovery [%]	not applicable	not applicable	not applicable	not applicable	not applicable
g	reference flow rate in NRVU [m ³ /s]	0,097	0,153	0,166	0,209	0,315
h	effective electric power input [kW]	0,058	0,097	0,11	0,201	0,286
i	SFP _{int} [W/(m ³ /s)]	not applicable	not applicable	not applicable	not applicable	not applicable
j	face velocity [m/s]	3	4,7	5,1	4,5	4
k	Δps, ext [Pa]	163	217	259	256	313
l	Δps, int [Pa]	not applicable	not applicable	not applicable	not applicable	not applicable
m	Δps, add [Pa]	not applicable	not applicable	not applicable	not applicable	not applicable
n	static efficiency of fans [%]	27,3	not applicable	not applicable	not applicable	not applicable
o	maximum external leakage rate [%]	3	3	3	0,6	0,3
p	maximum internal leakage rate [%]	not applicable	not applicable	not applicable	not applicable	not applicable
q	energy performance	not applicable	not applicable	not applicable	not applicable	not applicable
r	visual filter warning	not applicable	not applicable	not applicable	not applicable	not applicable
s	L _{WA} dB(A)	46	48	50	54	58
	internet address	www.ventur.eu www.solerpalau.com	www.ventur.eu www.solerpalau.com	www.ventur.eu www.solerpalau.com	www.ventur.eu www.solerpalau.com	www.ventur.eu www.solerpalau.com

* NRVU - "non-residential ventilation unit" - according to COMMISSION REGULATION (EU) No 1254/2014.